



# Installation procedures

Wall protections & handrails

**Spm**<sup>®</sup>  
wall protection

## INSTALLING CORNER PROTECTORS ON AN ALUMINIUM CORE

<b>1. TOOLS REQUIRED</b>	<b>24</b>
<b>2. CORNER PROTECTORS ON ALUMINIUM CORE: CORNEA, CORNEAFLEX AND COMBO'CORNER</b>	<b>25/27</b>
2.1 Installation procedure for CORNEA and COMBO'CORNER corner protectors	25
2.2 Installation procedure for CORNEAFLEX corner protectors	27
<b>3. ADHESIVE CORNER PROTECTORS: PROFILA 30/50, PROTECTA 2, PROFIL'INOX 30/50, LINEA'FLEX</b>	<b>28</b>
3.1 Installation procedure for corner protectors: PROFILA 30/50, PROTECTA 2 and PROFIL'INOX 30/50	28
3.2 Installation procedure for LINEA'FLEX corner protectors	28
<b>4. ELASTO'FLEX CORNER PROTECTORS</b>	<b>30</b>
4.1 Installation procedure for ELASTO'FLEX corner protectors	30
<b>5. INDIVIDUAL PROTECTION: SAFY'CORNER AND SAFY'DOOR</b>	<b>30/31</b>
5.1 Installation procedure for SAFY'CORNER	30
5.2 Installation procedure for SAFY'DOOR	31
<b>6. MAINTENANCE</b>	<b>31</b>

### 2. CORNER PROTECTORS ON ALUMINIUM CORE: CORNEA, CORNEAFLEX AND COMBO'CORNER

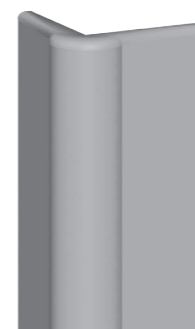
- SPM CORNEA, CORNEAFLEX and COMBO'CORNER corner protectors consist of a PVC profile mounted on an aluminium core.
- The product is finished with endcaps at the top and bottom of the protector.
- These protectors must be screwed to the wall.

The table below shows the fixing techniques to be used for the main types of wall surface found in the building industry.

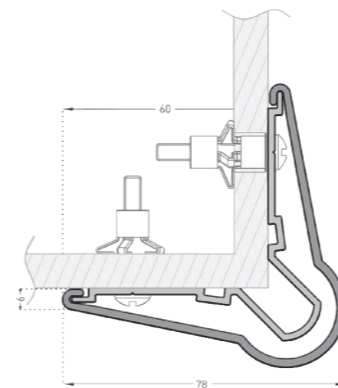
TYPE OF WALL	FIXING PROCEDURE
WALLS WITH WOODEN STUDS	Woodscrews, 5 x 40 mm
METALLIC STRUCTURES	Self-tapping screws, 5 x 40 mm
PLASTERBOARD (SINGLE SKIN), HOLLOW BRICK, HOLLOW BREEZE BLOCK	Metal expansion plugs, 5 x 50 mm
PLASTERBOARD (DOUBLE SKIN)	Metal expansion plugs, 5 x 50 mm
CONCRETE WALLS	FISCHER-type plugs, 6 mm diameter for 5 x 40 mm screws
SOLID BRICK AND OLD WALLS	FISCHER-type plugs, 8 mm diameter for 5 x 40 mm screws
HOLLOW PLASTER TILES, CELLULAR CONCRETE	FISCHER-type plugs, 8 mm diameter for 5 x 40 mm screws

#### 2.1 INSTALLATION PROCEDURE FOR CORNEA AND COMBO'CORNER CORNER PROTECTORS

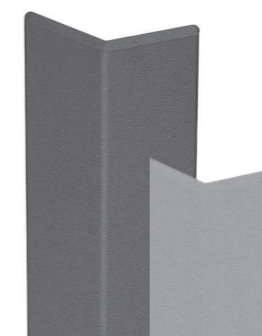
CORNEA



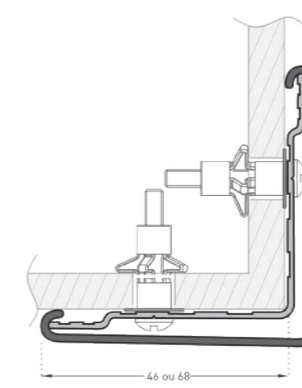
Technical drawing CORNEA



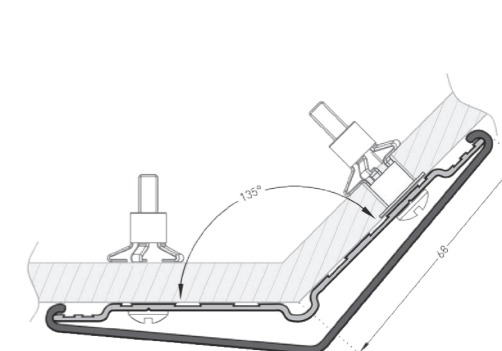
COMBO'CORNER



Technical drawing COMBO'CORNER 50 and 75

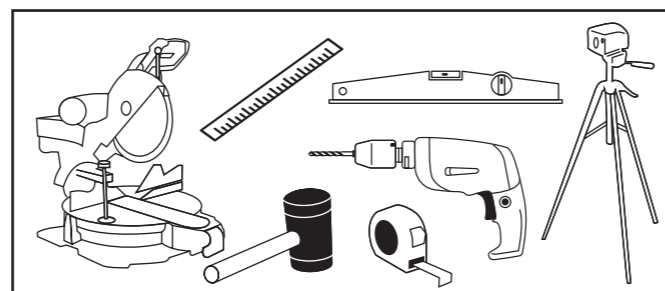


Technical drawing COMBO'CORNER 75-135°



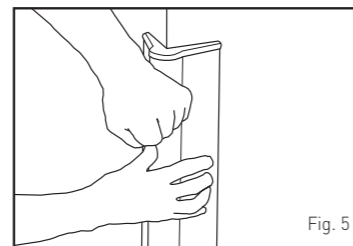
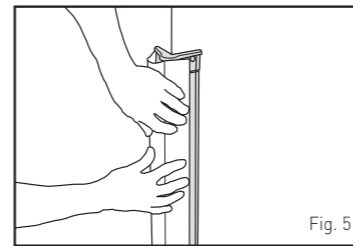
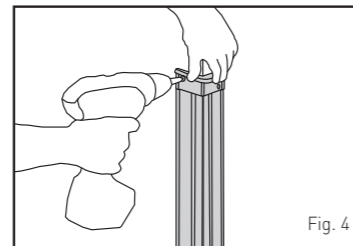
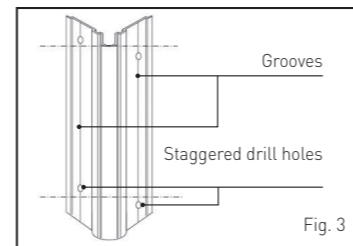
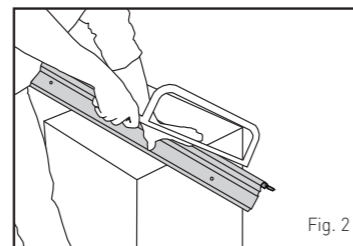
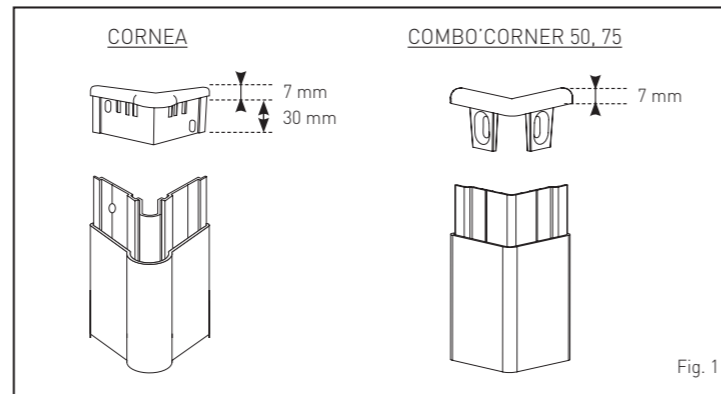
### 1. TOOLS REQUIRED

- Mitre saw with carbide blade for aluminium and PVC  
E.g. FESTOOL KS 88E saw - Blade reference TF52
- Measuring tape  
Reference: ROMUS 93290 or 93283
- Level and straight edge
- Electric drill and screwdriver
- Mallet  
Reference: ROMUS 94959
- Laser



## INSTALLING CORNER PROTECTORS ON ALUMINIUM CORE

- Calculate the length of the aluminium core to be cut while subtracting the dimensions of the endcaps (top and bottom) from the overall length (see Fig. 1).
- Cut the aluminium core using a mitre saw or hacksaw (see Fig. 2).
- Drill two 5 mm holes through the aluminium core at each end.
- Drill the holes at a distance of 20 mm from the edge of the core.
- Drill holes in the aluminium core along the grooves and stagger the holes for the fixing screws (20 cm between each hole) (see Fig. 3).
- Place the endcaps against the wall with the aluminium core.
- Mark the endcap and aluminium core screw holes using a pencil.
- Drill the wall, fit the plugs and screw to the wall, starting with the lower endcap, the aluminium core and then the upper endcap (see Fig. 4).
- Cut the PVC profile. You are advised to use a template beneath the profile to ensure a straight cut and avoid deforming the profile.
- Finally, fit the PVC profile by positioning one side on the aluminium core and the edges of the endcaps. Then clip the other side of the PVC profile by tapping it home (see Fig. 5).
- Remove the protective film.



## INSTALLING CORNER PROTECTORS ON ALUMINIUM CORE

### 2.2 INSTALLATION PROCEDURE FOR CORNEAFLEX CORNER PROTECTORS

#### CORNEAFLEX

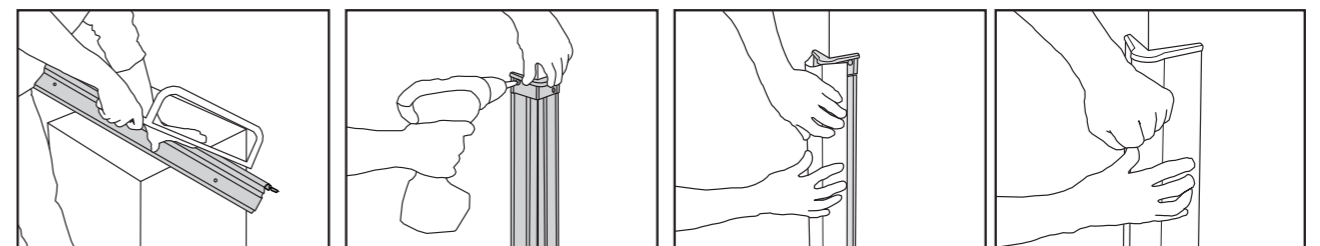


#### Installing on aluminium core (135° angle)

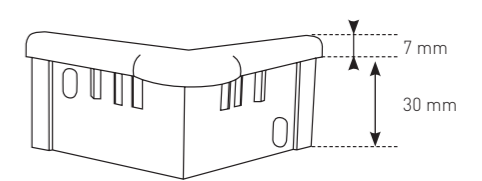
- Calculate the length of the aluminium core to be cut while subtracting the dimensions of the endcaps (top and bottom) from the overall length.
- Cut the aluminium core using a mitre saw or hacksaw.
- Place the endcaps against the wall with the aluminium core.
- Mark the endcap and aluminium core screw holes using a pencil.
- Drill the wall, fit the plugs and screw to the wall, starting with the lower endcap, the aluminium core and then the upper endcap.
- Cut the PVC profile. You are advised to use a template beneath the profile to ensure a straight cut and avoid deforming the profile.
- Align the PVC profile with the endcap and insert the first wing of the PVC profile onto the aluminium core 1 and then clip onto the first snap attachment 2. Insert the second wing of the PVC profile onto the aluminium core 3 and then clip onto the second snap attachment 4.
- Remove the protective film.

#### Installing on double aluminium cores (variable angle 80° to 135°) - floor-to-ceiling

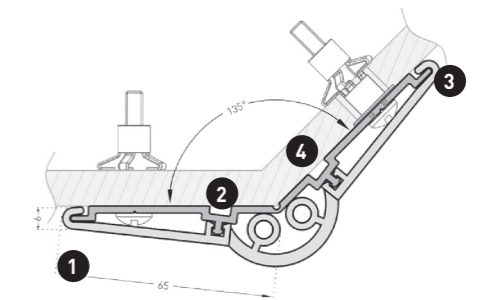
- Calculate the length of the corner that needs protecting.
- Drill two 5 mm holes through the aluminium core at each end.
- Drill the holes at a distance of 20 mm from the edge of the core.
- Drill holes in the aluminium core along the grooves and stagger the holes for the fixing screws (20 cm between each hole)
- Place one of the cores against the wall and mark the fixing holes.
- Drill, plug and screw the core to the wall.
- Then clip the PVC profile to both cores and position the whole assembly against the wall.
- Mark out the position of the second core.
- Remove the assembly. Replace the core against the marks and mark out the fixing holes.
- Drill, plug and screw the second core to the wall.
- Insert the first wing of the PVC profile onto the aluminium core 1 and then clip onto the first snap attachment 2. Insert the second wing of the PVC profile onto the aluminium core 3 and then clip onto the second snap attachment 4.
- Remove the protective film.



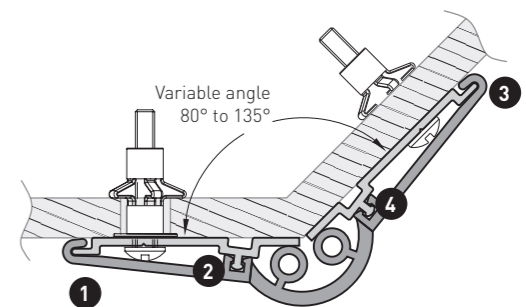
#### 135° ENDCAP



#### Technical drawing 135° angle CORNEAFLEX



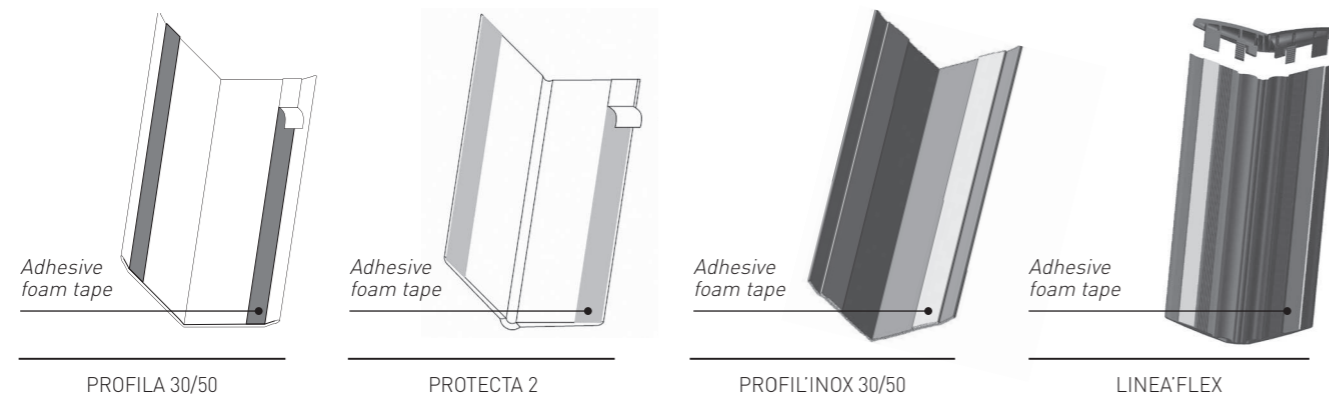
#### Technical drawing Variable-angle CORNEAFLEX



## INSTALLING ADHESIVE CORNER PROTECTORS

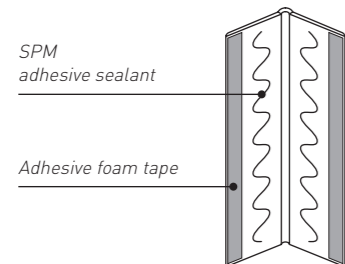
### 3. ADHESIVE CORNER PROTECTORS: PROFILA 30/50, PROTECTA 2, PROFIL'INOX 30/50 AND LINEA'FLEX

- SPM PROFILA 30/50, PROTECTA 2 and LINEA'FLEX corner protectors consist of a 2 mm thick PVC profile.
- SPM PROFIL'INOX 30/50 corner protectors consist of a 1 mm thick stainless steel profile.
- These protections are fixed directly to the wall using SPM adhesive sealant.
- Adhesive foam tapes are laid along the edges to temporarily hold the protection in place while the sealant dries (tack time). The adhesive foam tapes are in no way designed to provide permanent support.



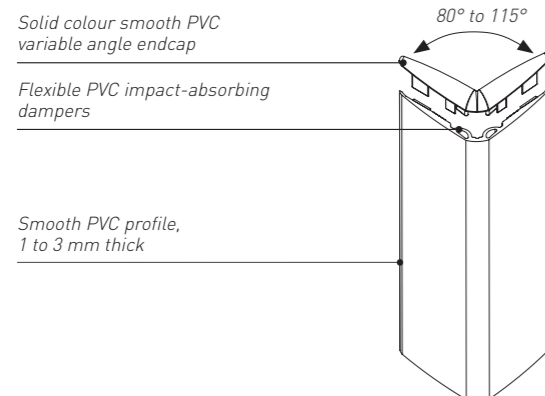
#### 3.1 INSTALLATION PROCEDURE FOR CORNER PROTECTORS: PROFILA 30/50, PROTECTA 2, AND PROFIL'INOX 30/50

- Apply the SPM adhesive sealant to the surface of the PVC profile as shown in the diagram below:



- Remove the protective film from the adhesive foam tapes.
- Place the protection against the wall.
- Press down hard (with a roller) all across the outer surface of the PVC profile.
- Clean off any excess sealant with a rag and hot water.
- Remove the protective film.

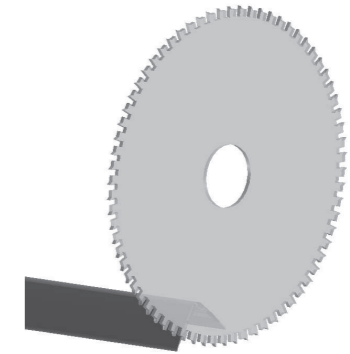
#### 3.2 INSTALLATION PROCEDURE FOR LINEA'FLEX CORNER PROTECTORS



## INSTALLING ADHESIVE CORNER PROTECTORS

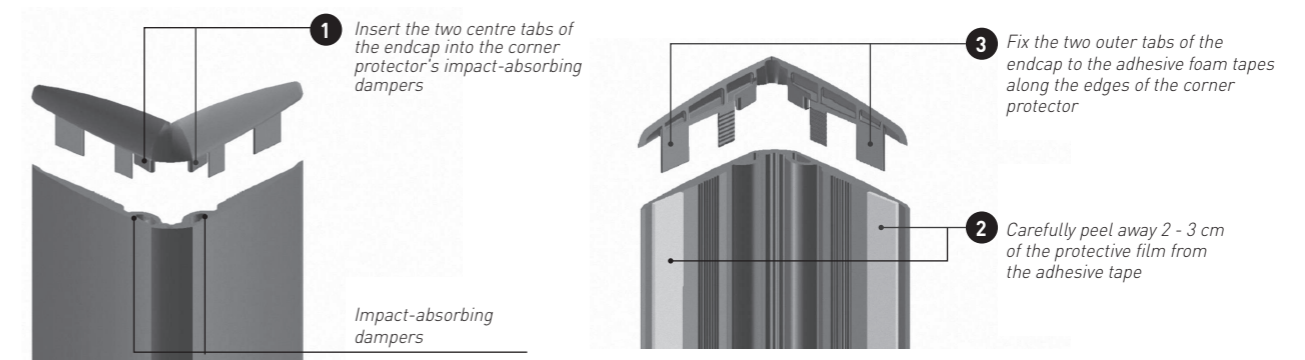
### Cutting the profile

- The corner protector profile can be cut with a mitre saw. Our recommendation is to use a fine-toothed carbide blade for aluminium and PVC.
- To ensure a straight cut and avoid splintering the surface, you are advised to use a template.

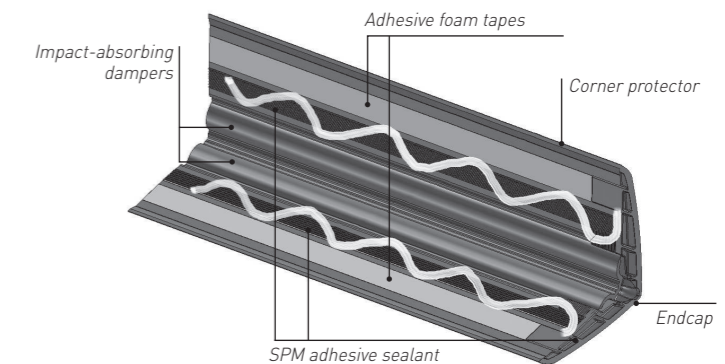


### Assembling the endcap

- Insert the two centre tabs of the endcap into the corner protector's impact-absorbing dampers.
- Push the endcap into the dampers and make sure that it is securely in place.
- Carefully peel away the protective film from the adhesive tape and fix the two outer tabs of the endcap onto the adhesive.



- Apply the SPM adhesive sealant to the serrated section of the profile as shown in the diagram opposite.
- Completely remove the protective film from the adhesive foam tapes.
- Place the protection against the wall.
- Press down hard (with a roller) all across the outer surface of the PVC profile.
- Clean off any excess sealant with a rag and hot water.
- Remove the protective film.

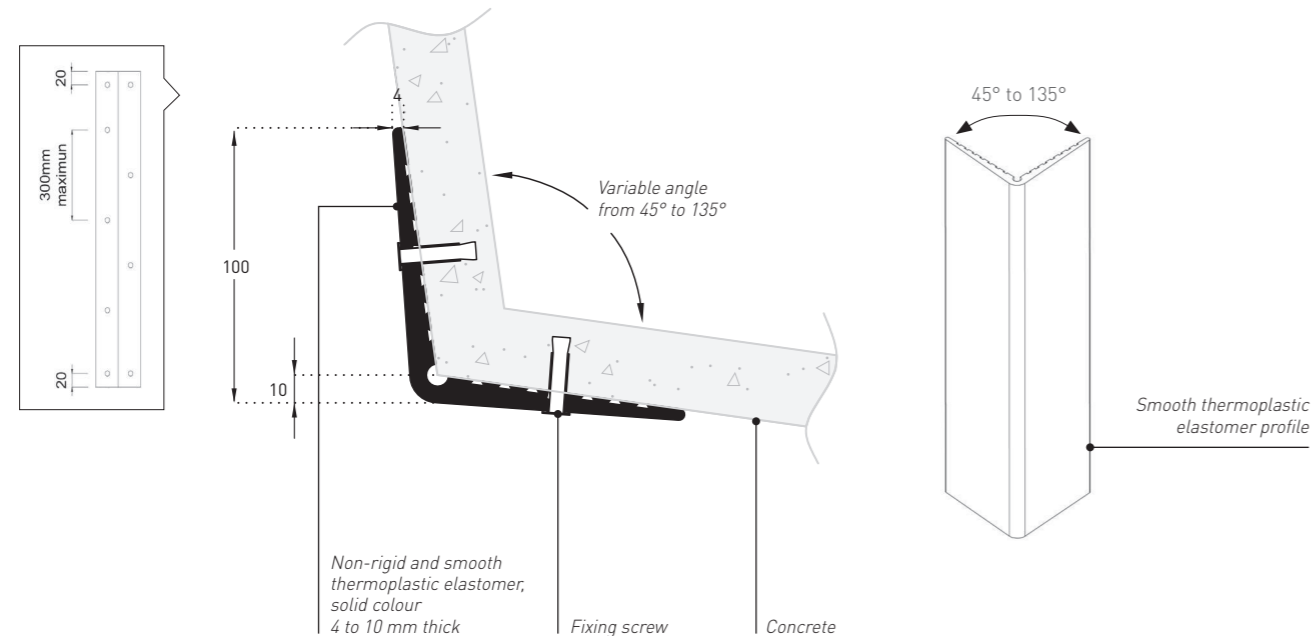


## INSTALLING ELASTO'FLEX AND SAFY'CORNER

### 4. ELASTO'FLEX CORNER PROTECTORS

#### 4.1 INSTALLATION PROCEDURE FOR ELASTO'FLEX CORNER PROTECTORS

- Cut the corner protector to the required length. Use a circular saw or a wide-blade knife while constantly lubricating with water or use a guillotine.
- Drill a 7 mm diameter hole in the profile at 20 mm from each edge for the screws (see diagram).
- Repeat approximately every 300 mm while ensuring that the holes are staggered.
- Use the corner protector as a template to mark and drill into the wall
- Choose the appropriate plug for the type of wall
- Fix to the wall using M5 dome-head screws fitted with washers

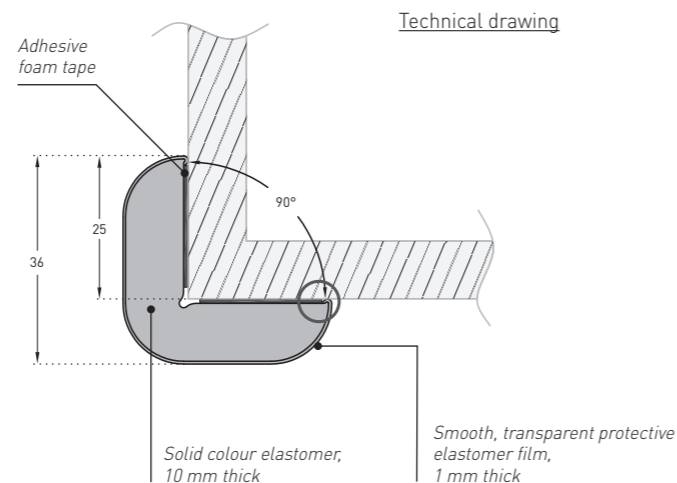


### 5. INDIVIDUAL PROTECTION: SAFY'CORNER AND SAFY'DOOR

#### 5.1 INSTALLATION PROCEDURE FOR SAFY'CORNER



- Completely remove the protective film from the adhesive tapes.
- Place the protection against the wall.
- Press down hard (with a roller) all across the outer surface of the profile.



## INSTALLING SAFY'DOOR

#### 5.2 INSTALLATION PROCEDURE FOR SAFY'DOOR

- The product comprises two elastomer profiles that clip onto pre-drilled aluminium cores.
- Each elastomer profile snaps onto two separate cores.
- In some cases, the protector may reduce the opening angle of the door.

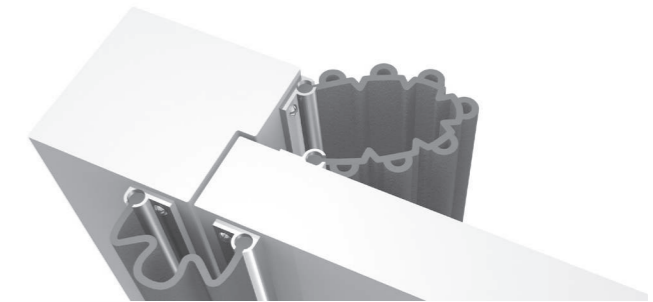
1. Keep the door closed.
2. Both assemblies must be positioned on the rabbet side and the hinge side as shown in the diagram opposite.

#### Positioning and fixing the aluminium cores:

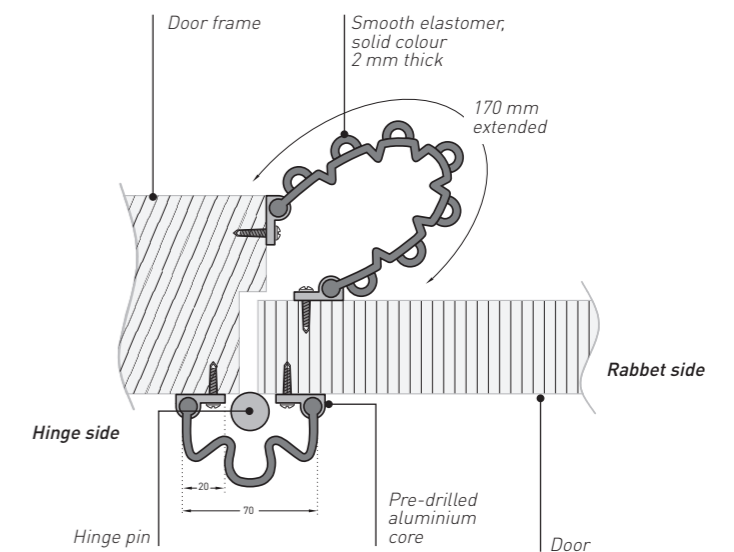
3. Ensure that the spacing of the cores matches the dimensions of the elastomer profile. If the cores are spaced too far apart, it will be hard to install the elastomer profile.
4. Make sure that the position of the assembly does not impede the door from opening and closing.
5. Once the cores are positioned level on the door frame and door, fix the cores using screws that are suited to the type of door (woodscrews / metal screws) through the pre-drilled holes along the aluminium profile.

#### Placing the elastomer profile:

6. Slide the elastomer profile from top to bottom into the groove of the aluminium core.
7. Once positioned, secure the elastomer profile in the groove by slightly squeezing the lower end of the aluminium core.



Technical drawing



### 6. MAINTENANCE

Do not leave products exposed to sunlight. Excessive increases in temperature could lead to changes in colour and/or deform the product.

The following products are recommended for cleaning:

- |           |                     |  |
|-----------|---------------------|--|
| - Ammonia | - Isopropyl alcohol | - Standard cleaning products, such as Bioquell and Anios |
| - Ethanol | - Essence F cleaner |  |

**It is essential to use solvents that do not leave any greasy or dry residue.**

- Products MUST NOT BE CLEANED with a scouring pad, such as a Scotch-Brite pad.

**DO NOT USE:**

- White spirit
- Acetone
- Petrol
- Paint thinners

If using non-recommended products, test on an offcut. Reactions may differ depending on the colour of the product and the solvents used.

**Service Export**

Tel : + 33 (0)5 34 39 41 00

Email : export@spm.fr

**SPM international S.A.S.**

16 rue Isabelle Eberhardt

CS 92083 - 31019 Toulouse Cedex 2 - France

Tel : +33 (0)5 34 39 40 00

**spm-international.com**

---

**PANELS  
HANDRAILS  
PROTECTION RAILS  
CORNER PROTECTION**

---

Business registration no. B.419 396 965 - jpe - Printed in France - 06/2023

Committed to sustainable development



A company of **Gerflor**

**Sp<sup>m</sup>**  
wall protection